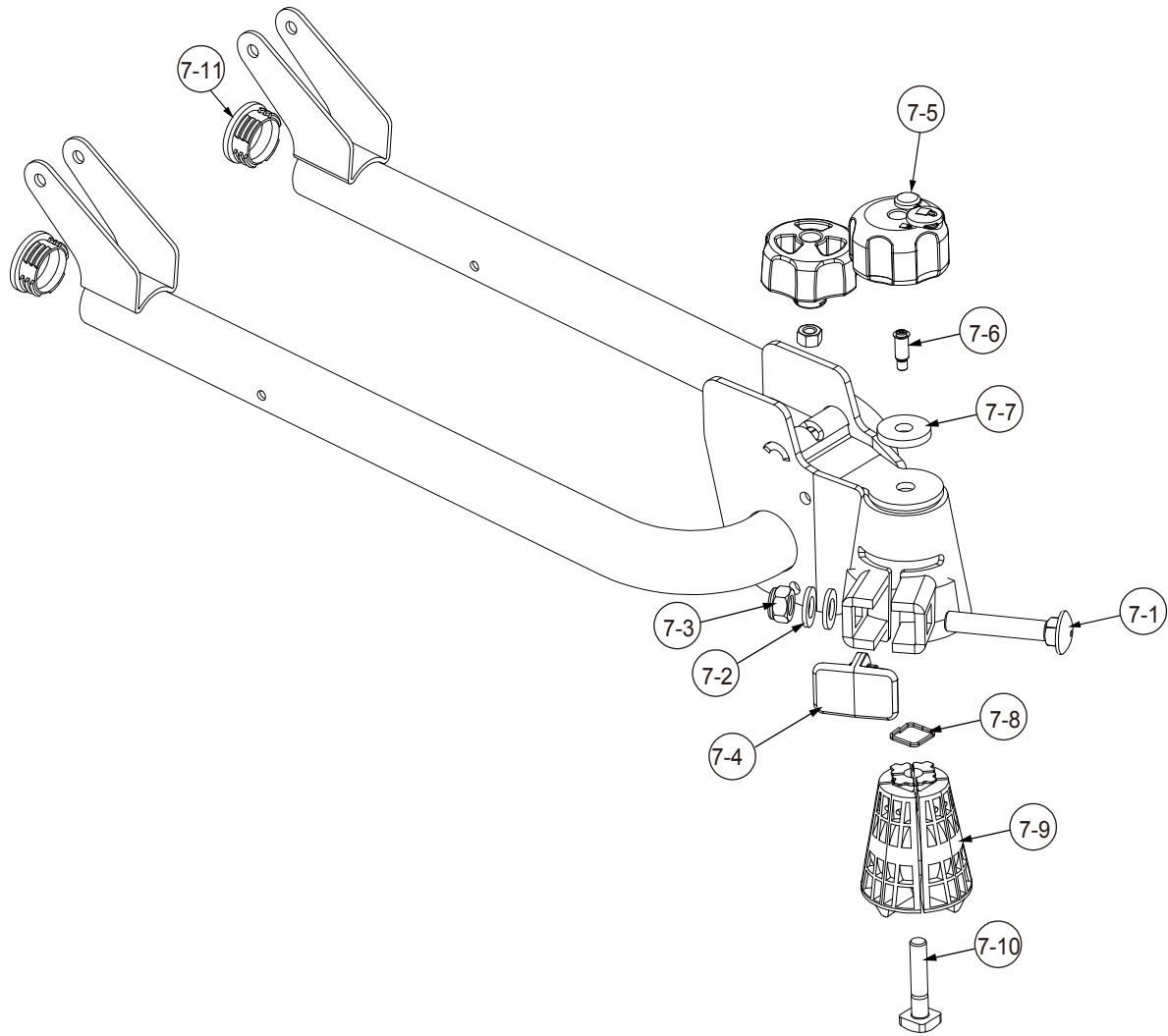
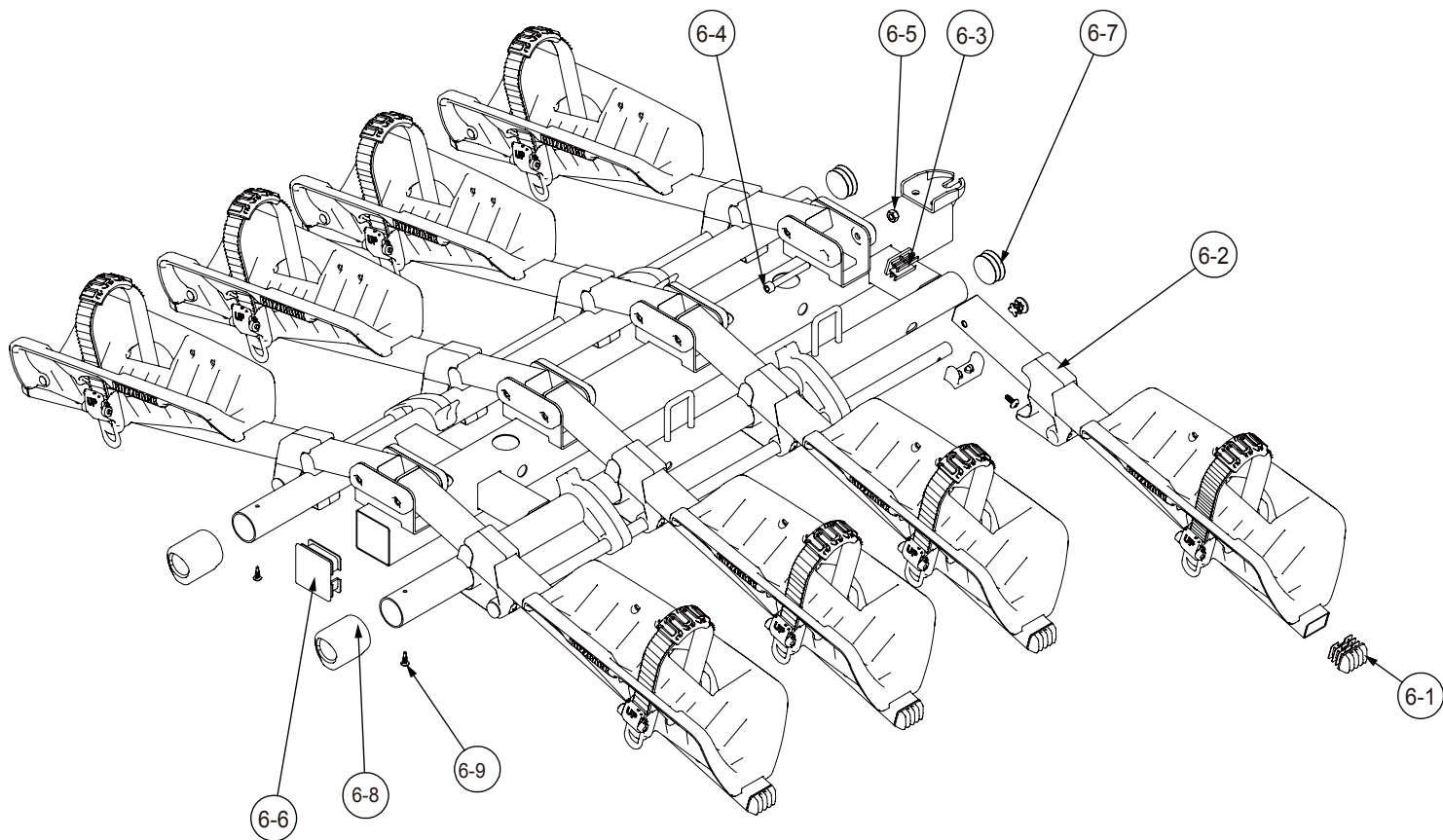


PART	DESCRIPTION	PARTNUMBER	QTY.	PACK SIZE	PART	DESCRIPTION	PARTNUMBER	QTY.	PACK SIZE
1	Wheel Support(left)	47-0113-088-01							
2	Wheel Support(right)	47-0113-087-01							
3	Ligh board support bracket	3509-00271-05							
4	Complete Light Board								
5	Cradle assembly								
6	Frame assembly								
7	Foot assembly								
8	Screw Ø4.75 x 12mm	140-1782-002-58							
9	Key K001~K010	147-01905-99							
10	Allen key	144-00009-56							
11	Locking cable	3510-00040-99							
12	Clip	3509-00245-05							
13	Wrench	47-0113-030-01							

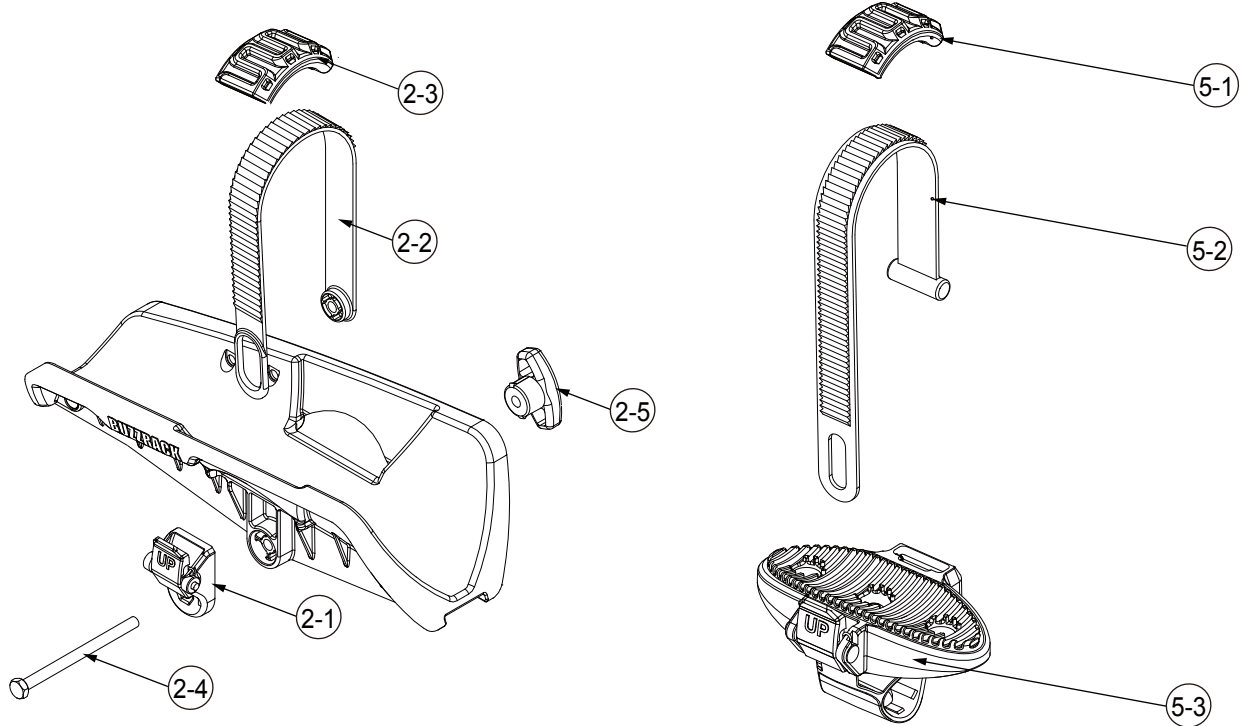


PART	DESCRIPTION	PARTNUMBER	QTY.	PACK SIZE
7-1	Carriage Bolt M12x70mm	140-0112-007-58		
7-2	Washer Ø13x24mm	142-1130-001-58		
7-3	Nylock Nut M12	47-0113-029-01		
7-4	Conic protector	130-00609-05		
7-5	Locking Knob(conic)	47-0113-022-01		
7-6	Retainer	47-0113-021-01		
7-7	Washer Ø10.5x Ø32	47-0113-023-01		
7-8	Square ring	145-00055-50		
7-9	Conical Clamps	118-00146-00		
7-10	Square Head Bolt M10x50mm	140-0510-001-58		
7-11	End Cap	130-00610-01		

PART	DESCRIPTION	PARTNUMBER	QTY.	PACK SIZE



PART	DESCRIPTION	PARTNUMBER	QTY.	PACK SIZE	PART	DESCRIPTION	PARTNUMBER	QTY.	PACK SIZE
6-1	End Cap	130-00340-01							
6-2	Locking hook	130-00607-05							
6-3	Square end cap	130-00616-01							
6-4	Button head screw M6x45mm	140-1106-011-58							
6-5	Nylock nut M6	141-0106-001-58							
6-6	Square End Cap	130-00157-01							
6-7	End Cap	130-00239-01							
6-8	End Cap	130-00443-01							
6-9	Screw #8x1/2"	140-2699-001-58							



PART	DESCRIPTION	PARTNUMBER	QTY.	PACK SIZE	PART	DESCRIPTION	PARTNUMBER	QTY.	PACK SIZE
2-1	Ratchet for wheel strap	47-0113-042-01							
2-2	Wheel Strap	130-00523-01							
2-3	Strap Pad	130-00637-05							
2-4	Hex Bolt M6x85mm	140-0306-043-58							
2-5	T-Knob	3509-00222-05							
5-1	Strap Pad	130-00637-05							
5-2	Cradle strap	130-00685-01							
5-3	Cradle	47-0113-084-01							